



1 2 3 4 5 6 7

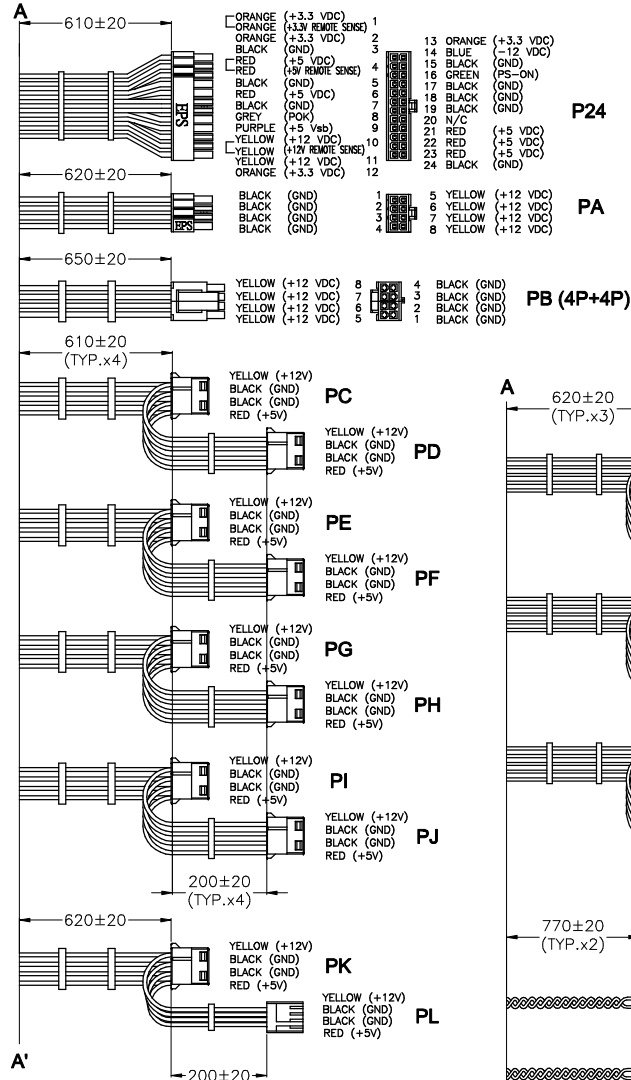
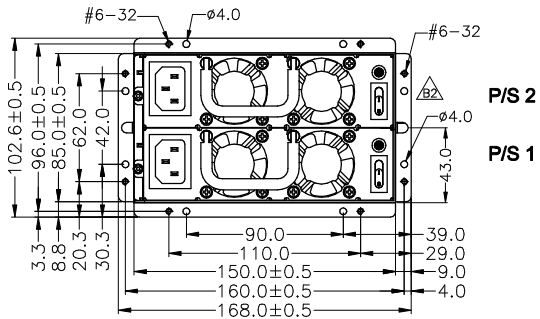
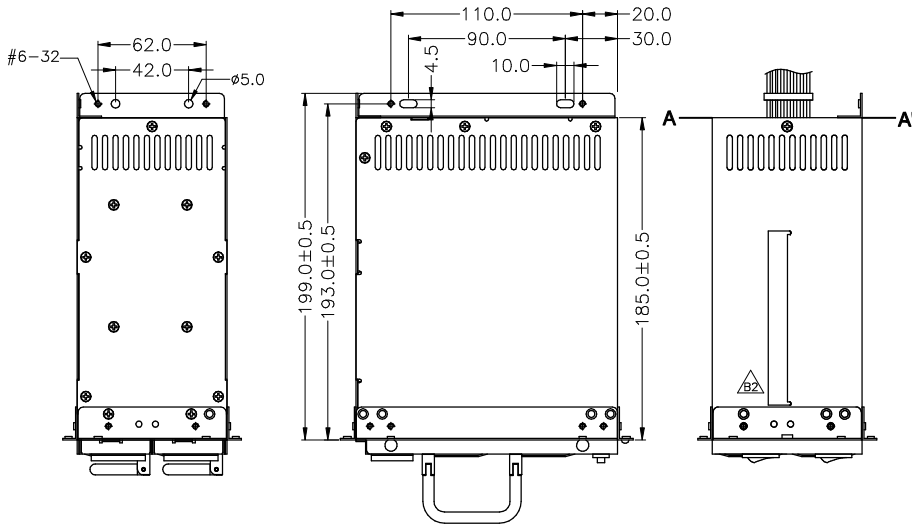
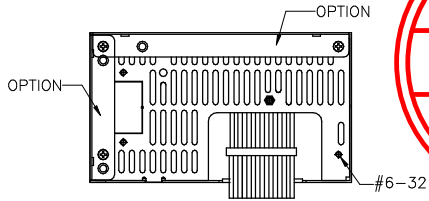
A

B

C

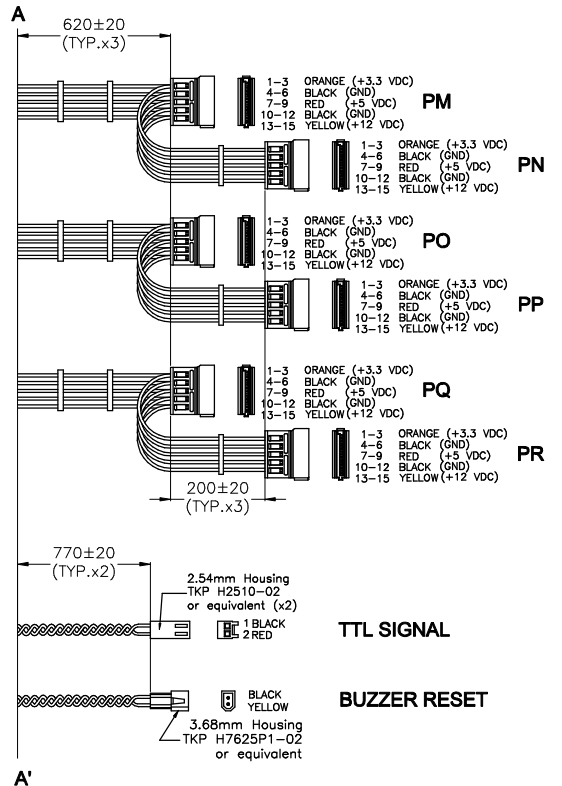
D

E



修訂 REVISIONS		
版次 REV.	記述 DESCRIPTION	日期 DATE
B2	依客戶需求取消BUZZER	AUG-12-2014
B3	修正品名	MAR-16-2015

- Notes:
- (a) All the Length of Output Wires Exclude Housing.
 - (b) P24 Connect: MOLEX 39-01-2240 EQUIV. Terminal: MOLEX 39-00-0059/79 EQUIV.
 - (c) PA Connect: MOLEX 39-01-2080 EQUIV. Terminal: MOLEX 39-00-0059 EQUIV.
 - (d) PB Connect: WST P4-I42002K3 & P4-I42002K4 EQUIV. Terminal: MOLEX 39-00-0059/60 EQUIV.
 - (e) PC-PK Connect: AMP 1-480424-0 EQUIV. Terminal: AMP 61117-4 EQUIV.
 - (f) PL Connect: AMP 171822-4 EQUIV. Terminal: AMP 170262-1 EQUIV.
 - (g) PM-PR Connect: MOLEX 675820000 EQUIV. Terminal: MOLEX 675810000 EQUIV.



容許公差: TOLERANCES:	材料規格: MATERIAL:	日期: DATE:
.XXX ±.025 .XX ±.100 .X ±.250	核准者: APPROVE BY: 黃永欣	MAR-16-2015
投影法: PROJECTION:	審核者: CHECK BY: 李宗翰	日期: DATE: MAR-16-2015
第三角法	繪圖者: DRAW BY: 陳熾昇	日期: DATE: MAR-16-2015

新巨企業股份有限公司 ZIPPY TECHNOLOGY CORP. POWER DIVISION	
品名: MODEL NO:	MRW-5600G4V
料號: PART NO:	B00MRW060G001
圖號: DRAW NO:	B00MRW060G001
單位: UNITS:	mm
版次: REV. NO:	B3
規格: SPEC.:	A0
編號: SHEET:	OF